



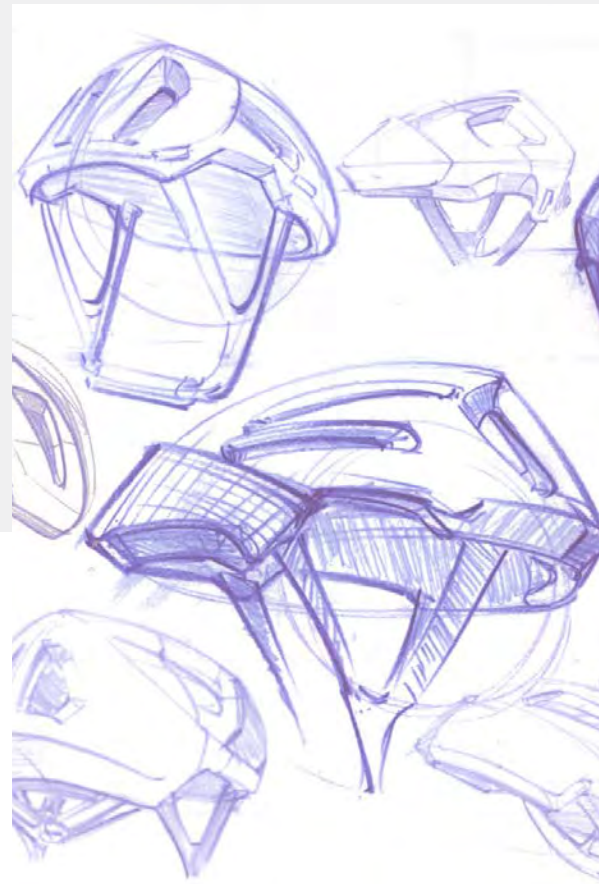
INDUSTRIAL DESIGN PORTFOLIO SUMMARY BY BLAKE ELLIS
2018-19

See full portfolio at <https://blakellis.myportfolio.com/>

PROJECTS FEATURED

SEE FULL PROJECTS - www.blakellis.myportfolio.com

I.D E S I G N
INDUSTRIAL DESIGN PORTFOLIO SUMMARY BY BLAKE ELLIS
2018-19



CIGAR
HUMIDOR



GOOGLE
HELMET



BLENDER



CONAIR
FOIL RAZOR



SKETCHBOOK

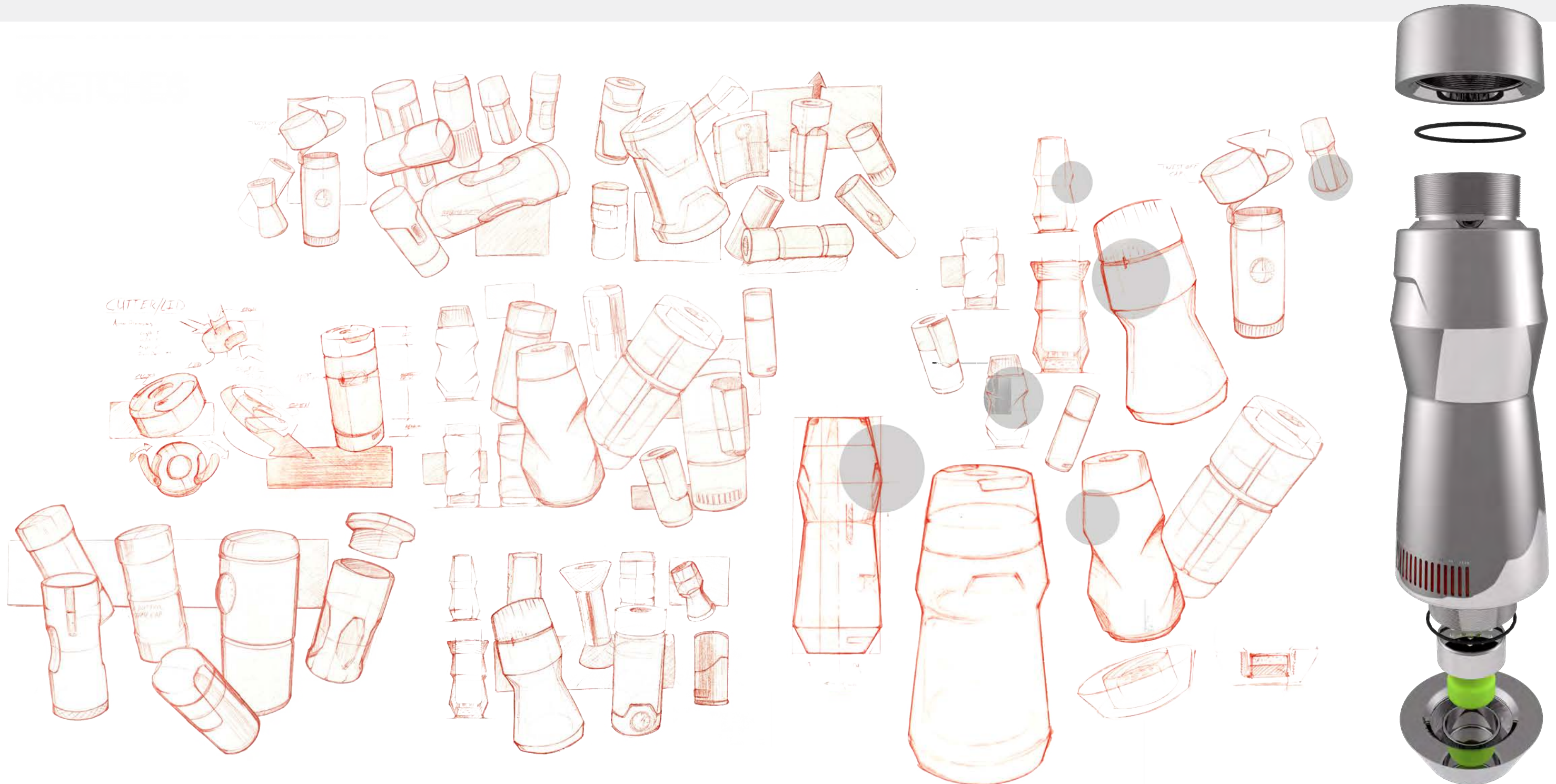
CIGAR HUMIDOR

DESIGN CHALLENGE - Design a Richard Sapper inspired container for an ALESSI Product Line.

EDUCATION LEVEL - Second Semester Sophomore



SEE FULL PROJECT - <https://blakellis.myportfolio.com/cigar-humidor>



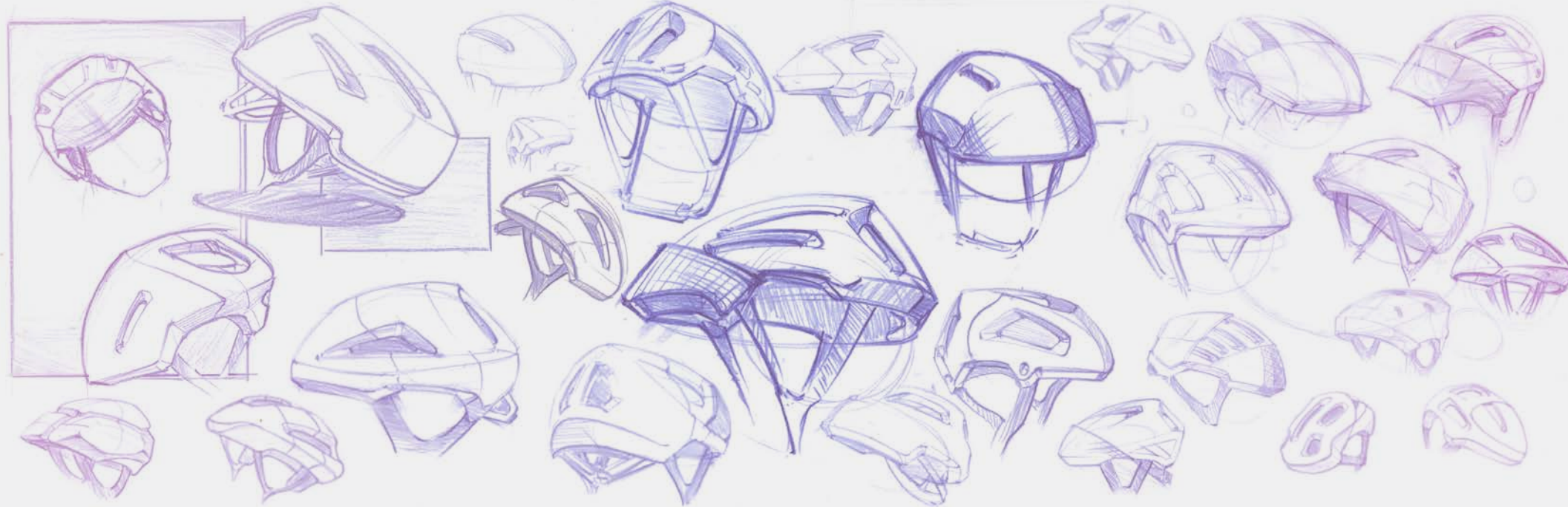
GOOGLE HELMET

DESIGN CHALLENGE - Design a Bike Helmet containing Google's design language.

EDUCATION LEVEL - Second Semester Sophomore



SEE FULL PROJECT - <https://blakellis.myportfolio.com/projects>

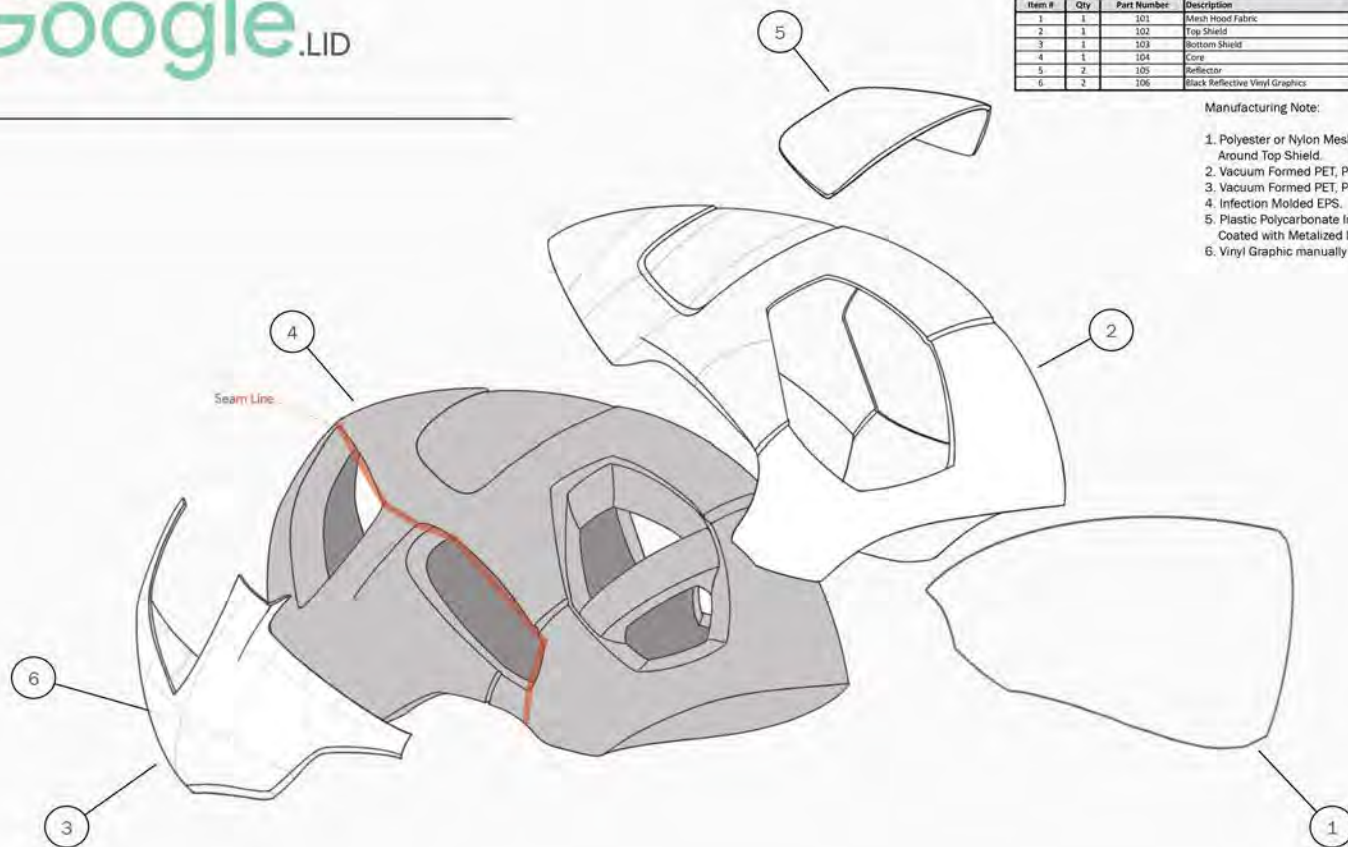


Google.LID

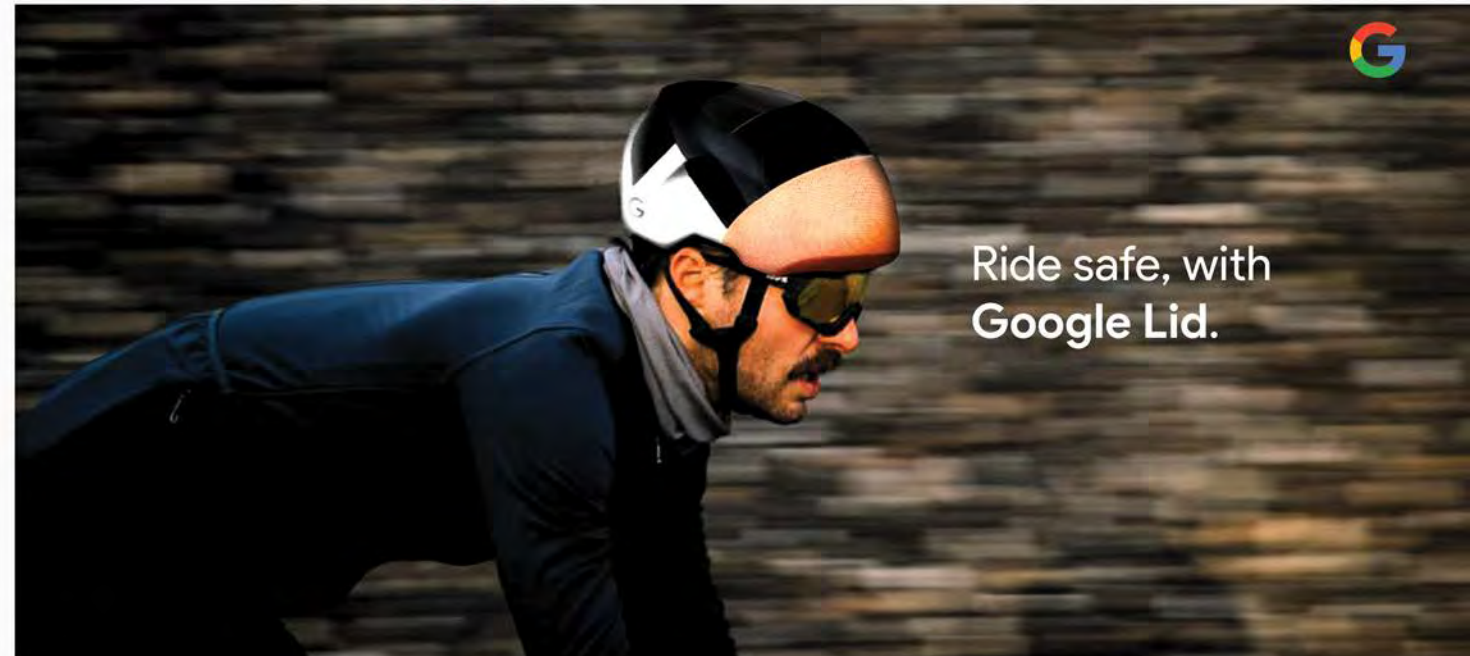
Item #	Qty	Part Number	Description	Mat
1	1	101	Mesh Hood Fabric	Nylon
2	1	102	Top Shield	PET Plastic
3	1	103	Bottom Shield	PET Plastic
4	1	104	Core	EPS
5	2	105	Reflector	Metalized Duralar Coated
6	2	106	Black Reflective Vinyl Graphics	Vinyl

Manufacturing Note:

1. Polyester or Nylon Mesh. Stretched and glued Around Top Shield.
2. Vacuum Formed PET, Painted, Clear Coat.
3. Vacuum Formed PET, Painted, Clear Coat.
4. Injection Molded EPS.
5. Plastic Polycarbonate Injection Molded and Coated with Metalized Duralar Coated film.
6. Vinyl Graphic manually applied.



Google.LID 



Ride safe, with Google Lid.



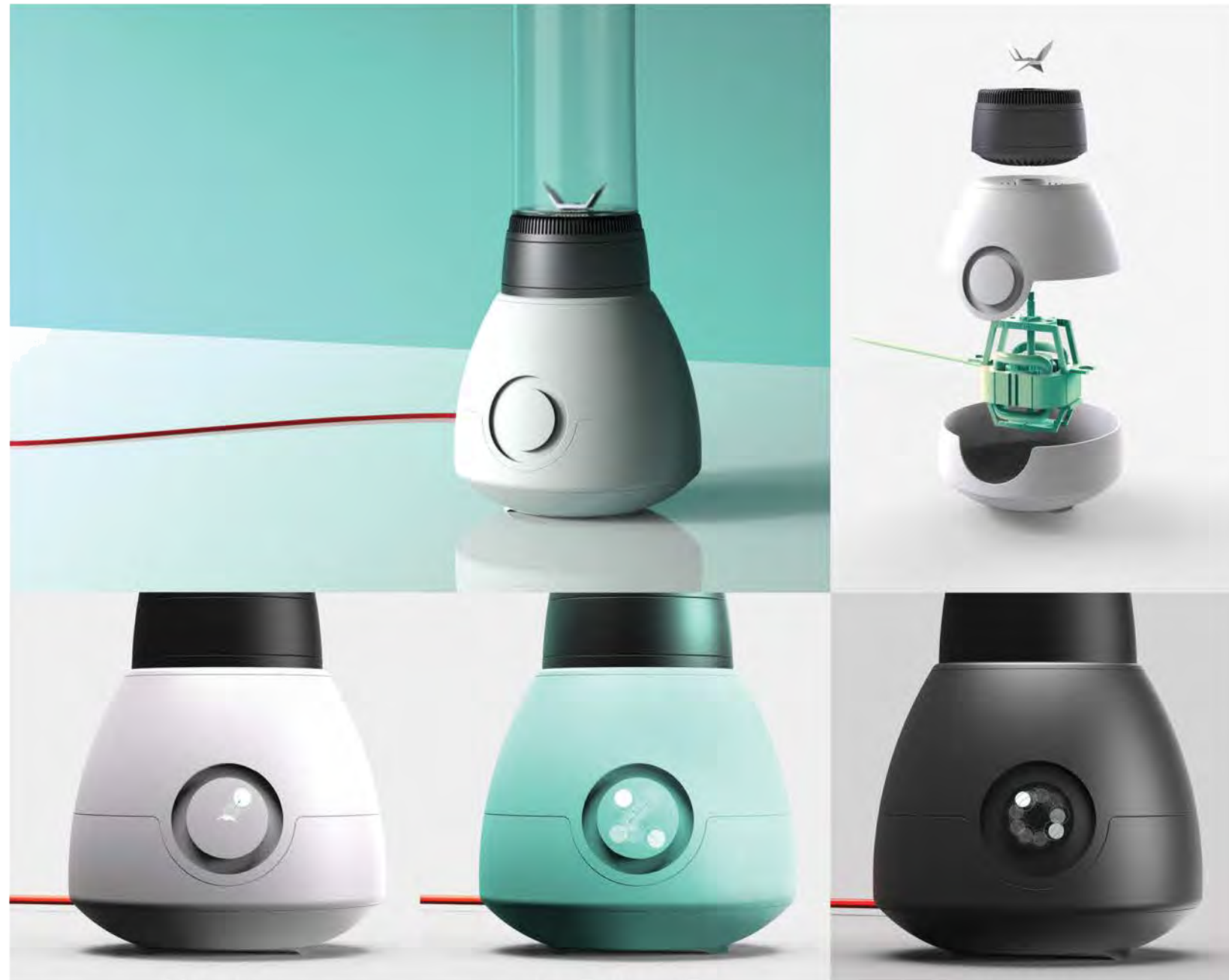
BLENDER

DESIGN CHALLENGE - Design a Personal Blender for a younger audience, choosing to purchase between a Keurig or Blender for the first time.

EDUCATION LEVEL - Mid Junior Semester



SEE FULL PROJECT - <https://blakellis.myportfolio.com/blender>



Wake Up

Begin Blending

Blended

.UI/UX.

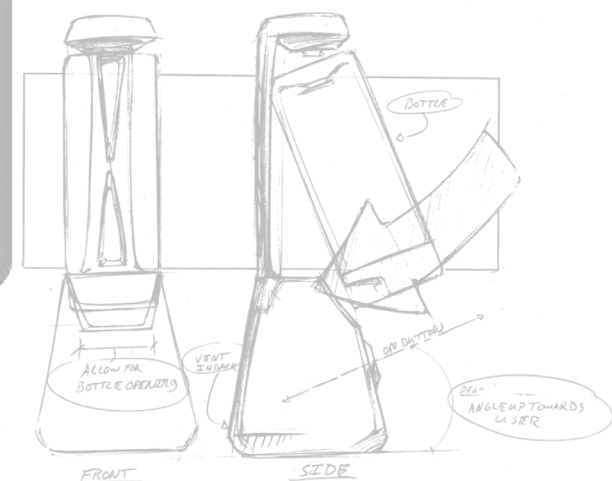
The design for the eye was inspired by the "sun&moon" icon. This is a playful feature that will let users know when their shakes are blended to a consistent mix.



Wake Up

Begin Blending

Blended



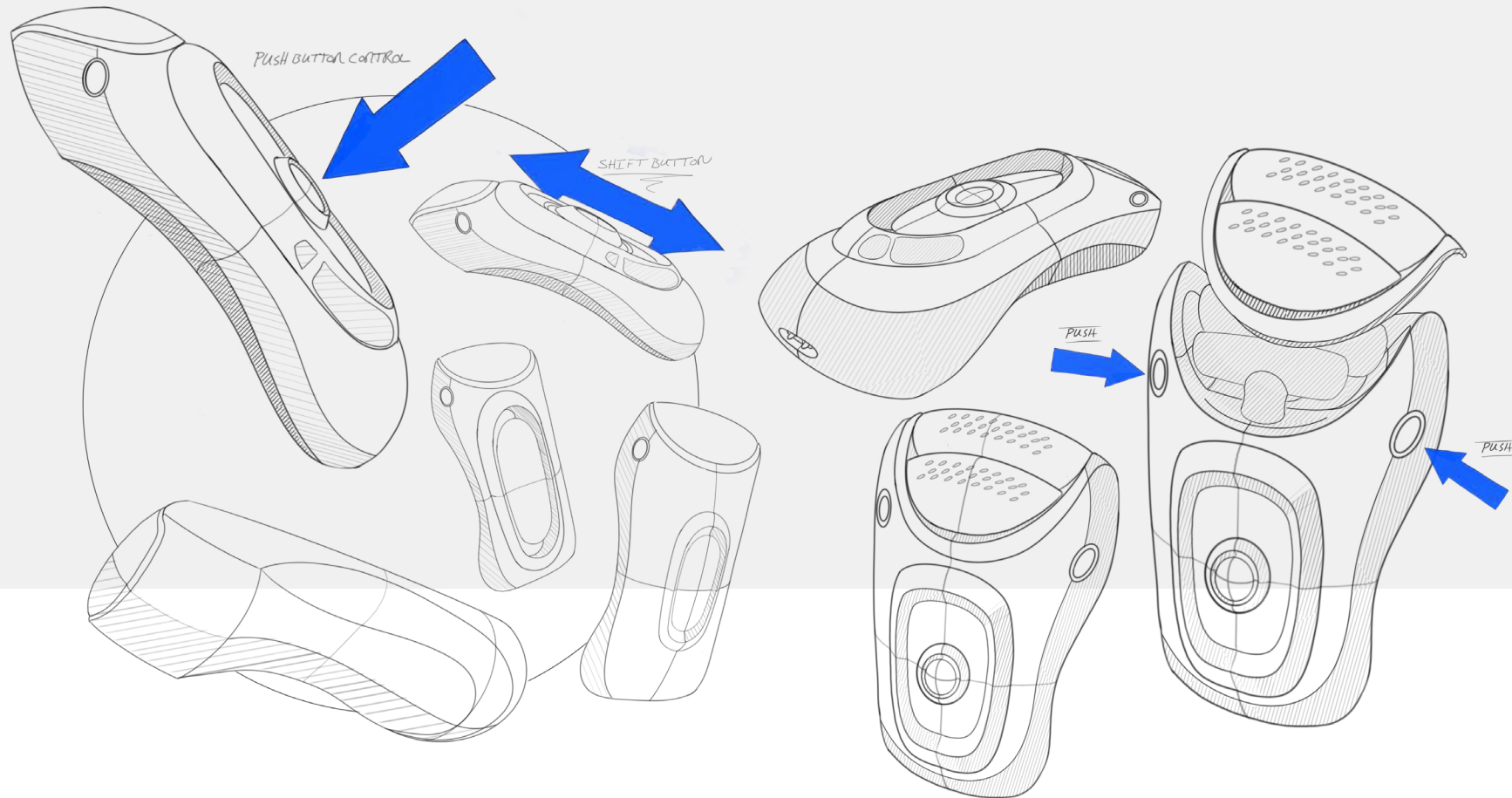
CONAIR RAZOR

DESIGN CHALLENGE - Design a Foil Razor for a new Conair Product Line.

EDUCATION LEVEL - First Semester Junior



SEE FULL PROJECT - <https://blakellis.myportfolio.com/conair-foil-shaver>



FLUSH TO PREVENT GETTING HIT INSIDE GYM BAG

SHAVE HEAD RELEASE



Maybe? ;)
LANYARD FOR EASE HOLDING IN LOCKER ROOM



THIS SCALE IS LARGE. FITS IN HAND BETTER @ 5.25"



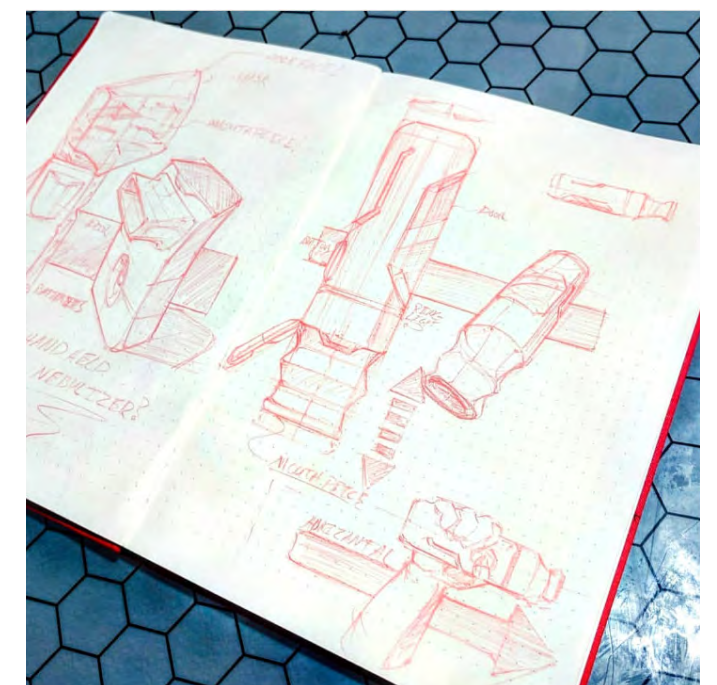
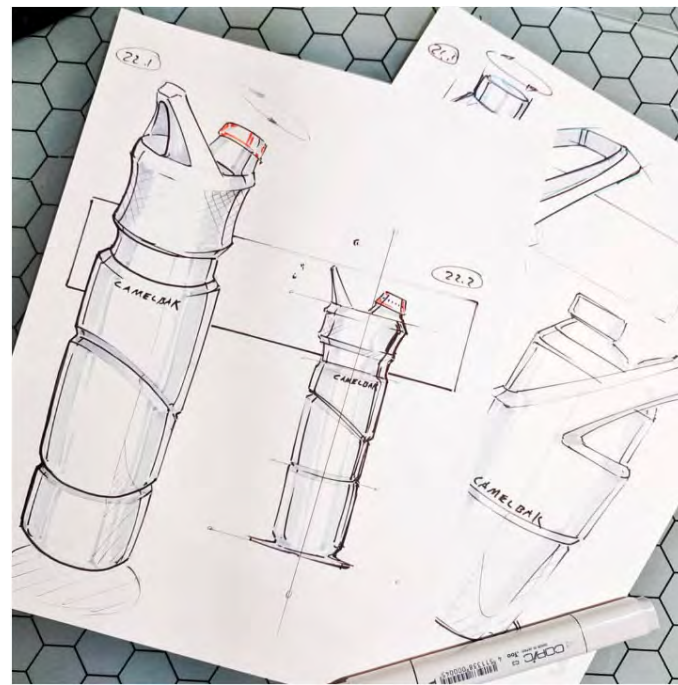
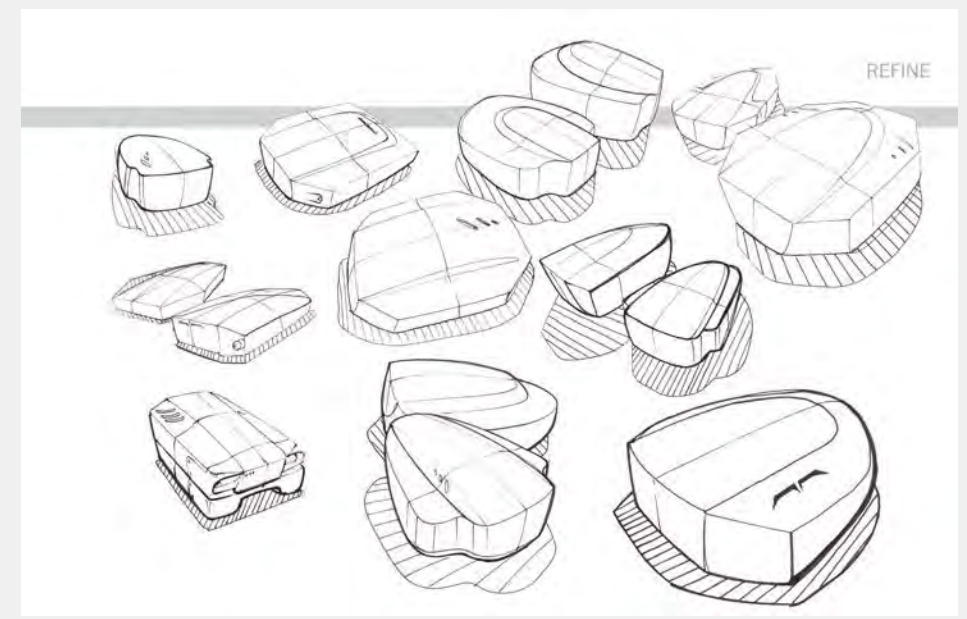
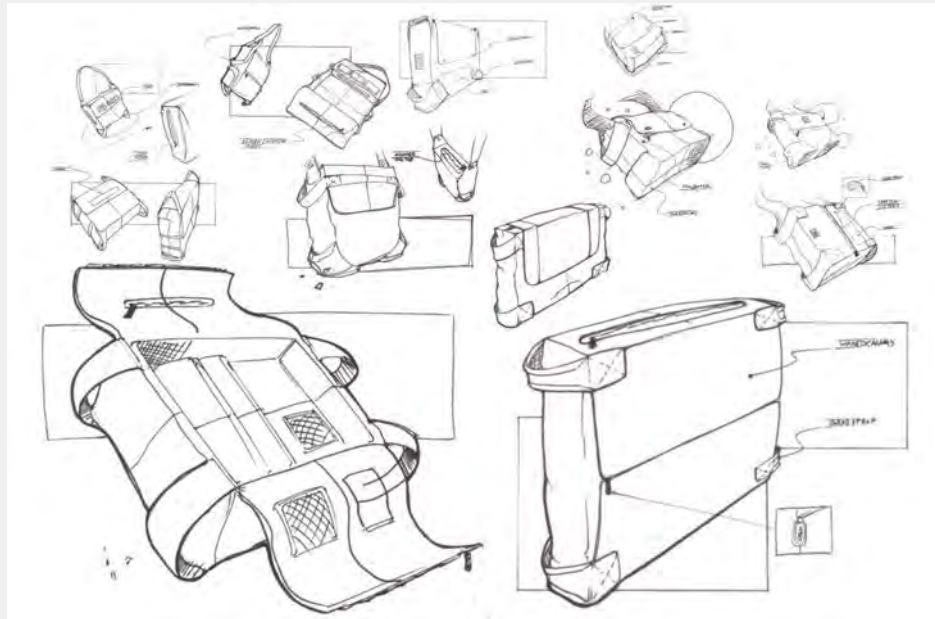
SKETCHBOOK

DESIGN CHALLENGE - These are personal doodles, older project sketches, and digital sketch renderings.

EDUCATION LEVEL - Sophomore to Current



SEE FULL PROJECT - <https://blakellis.myportfolio.com/sketchbook>

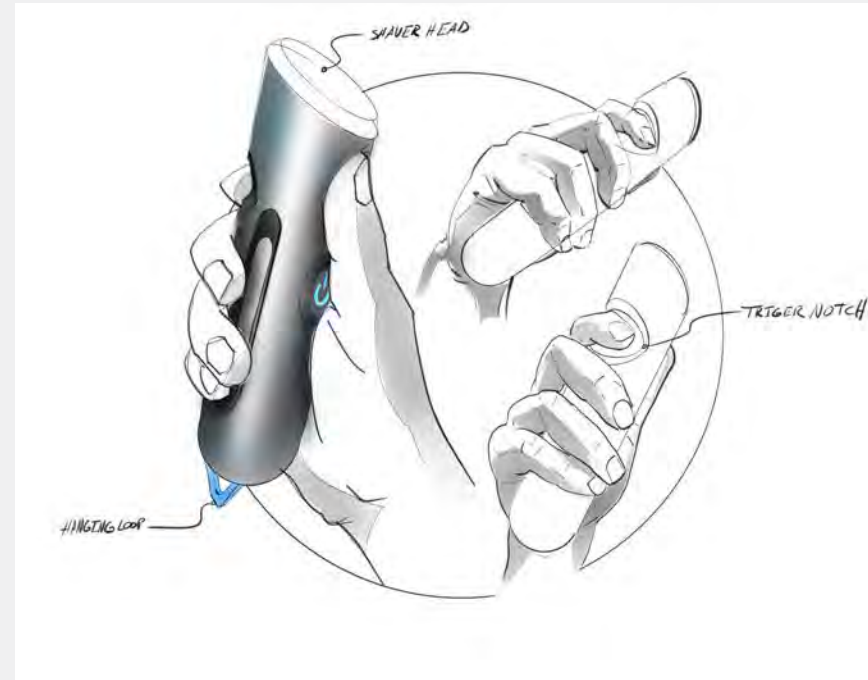
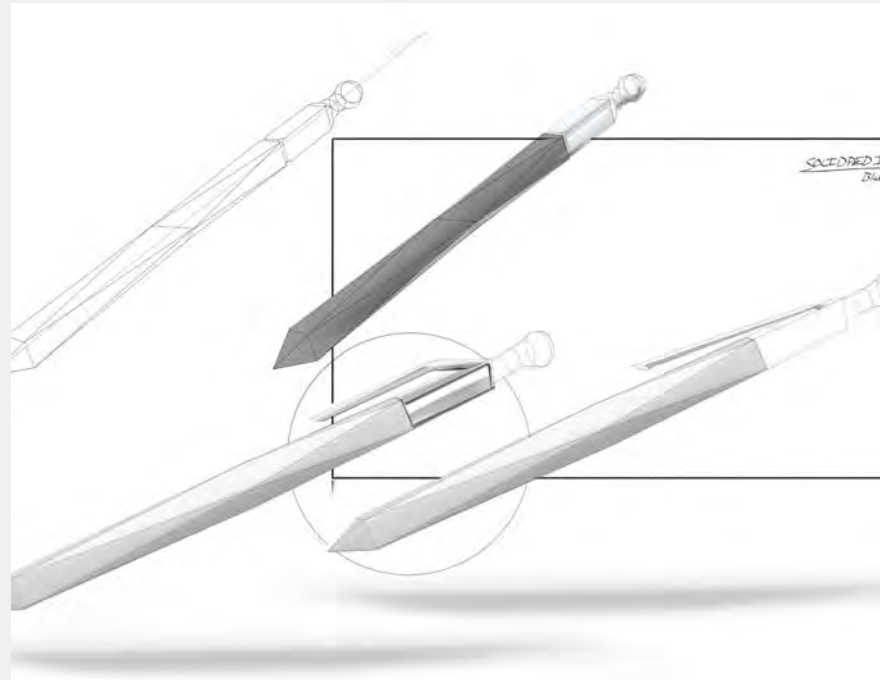


SKETCHBOOK

DESIGN CHALLENGE - These are personal doodles, older project sketches, and digital sketch renderings.

EDUCATION LEVEL - Sophomore to Current

SEE FULL PROJECT - <https://blakellis.myportfolio.com/sketchbook>



LG LIGHT

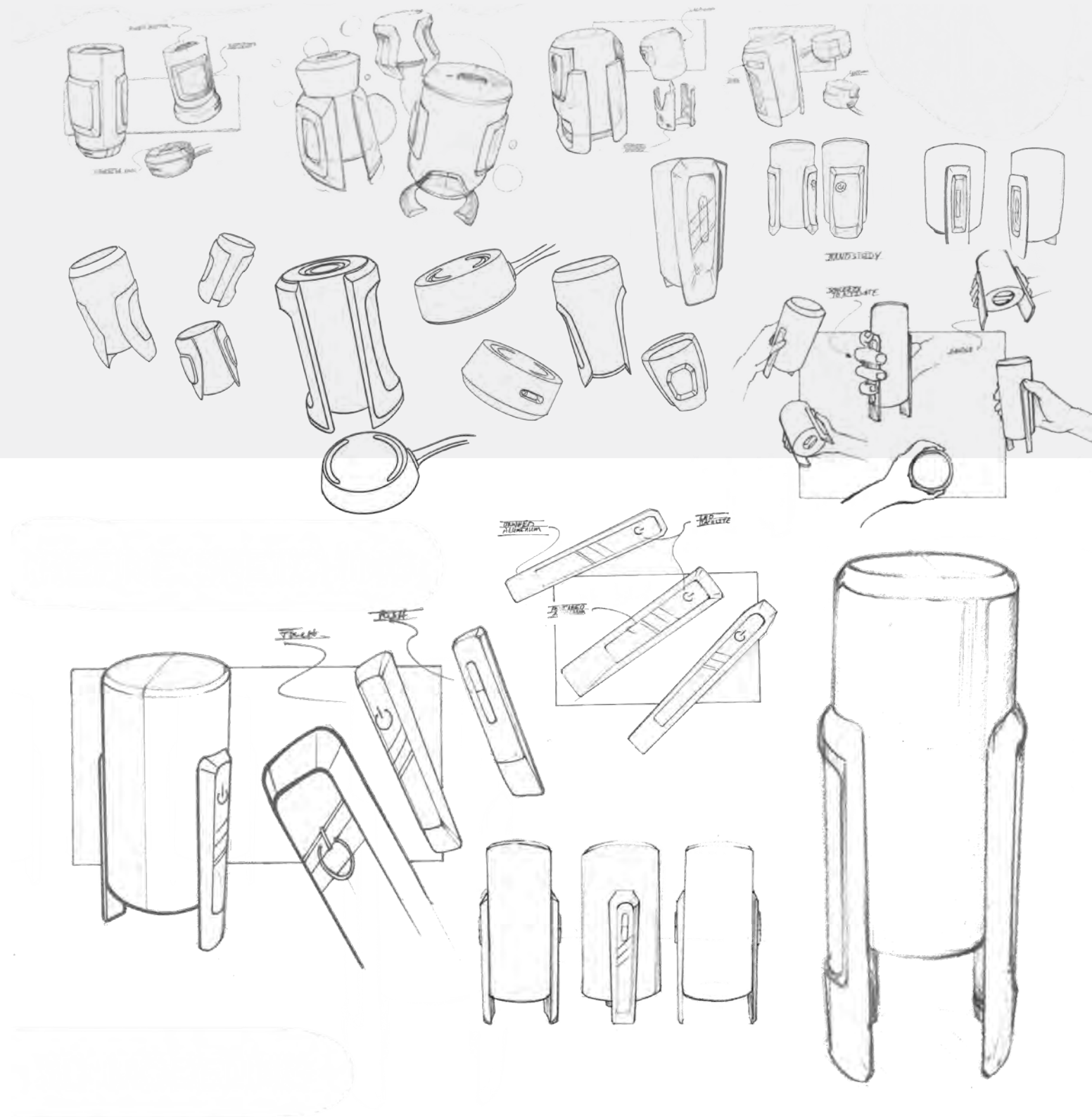
DESIGN CHALLENGE - After researching products from a company, create a "LANTERN" in that company's design language.

EXTRA SHORT PROJECT!!

EDUCATION LEVEL - First Semester Sophomore



SEE FULL PROJECT - <https://blakellis.myportfolio.com/lg-light>



THANK YOU



SEE FULL PROJECTS - www.blakellis.myportfolio.com